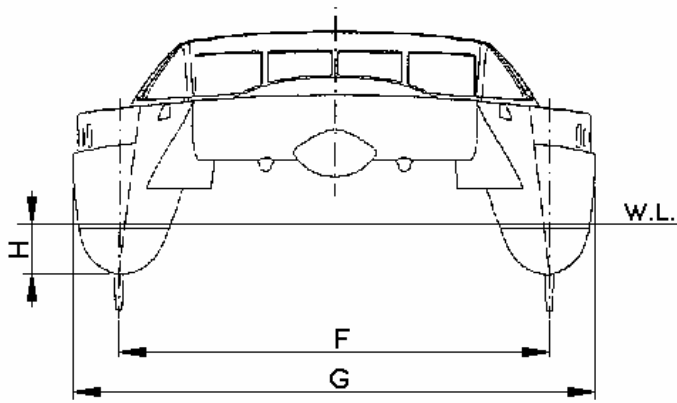
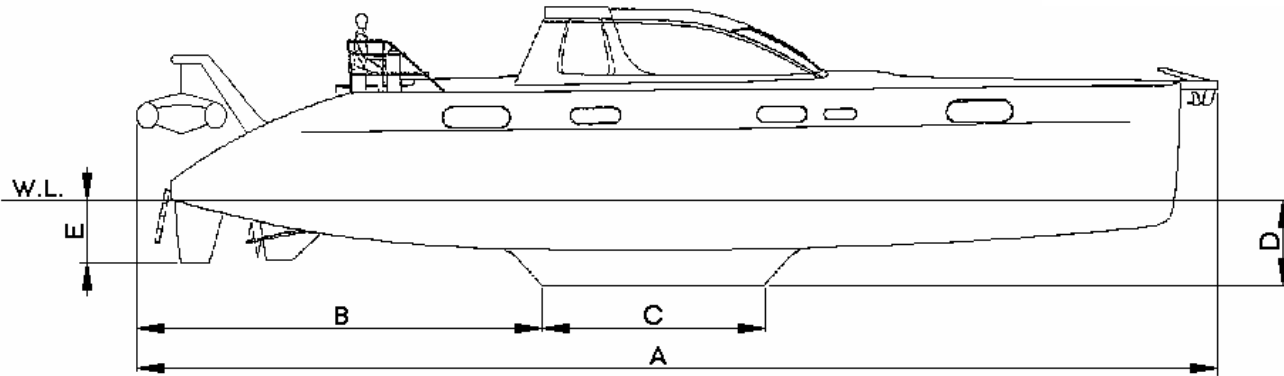


DATASHEET CATAMARAN



Name of yacht:	
Booking note / inquiry nr. * :	
Voyage * :	
Builder:	
Model, type and hull number:	
Weight of yacht in metric tons:	
Hull material:	

Can the keel carry the weight of the yacht:	Yes	No
---	-----	----

Is the keel retractable:	Yes	No
--------------------------	-----	----

A	Length over all incl. davits, tender or other:	
B	Start of keel:	
C	Length of keel:	
D	Max. draft:	
E	Height rudder, measured from bottom rudder to waterline:	
F	Distance between centre lines two hulls:	
G	Beam max:	
H	Distance botom hull to waterline:	

* To be fill in by DYT employee